

PRODUCT OVERVIEW

The oil skimmer is designed to remove non-water-soluble oils floating on the surface of coolant tanks, such as lubricating and cutting oils.

During operation, oils from lubrication and machining processes enter the coolant system, affecting cooling performance and causing odor and environmental concerns.

The use of an oil skimmer effectively removes surface oils, helping maintain coolant quality and ensure stable production.

PRODUCT ADVANTAGES

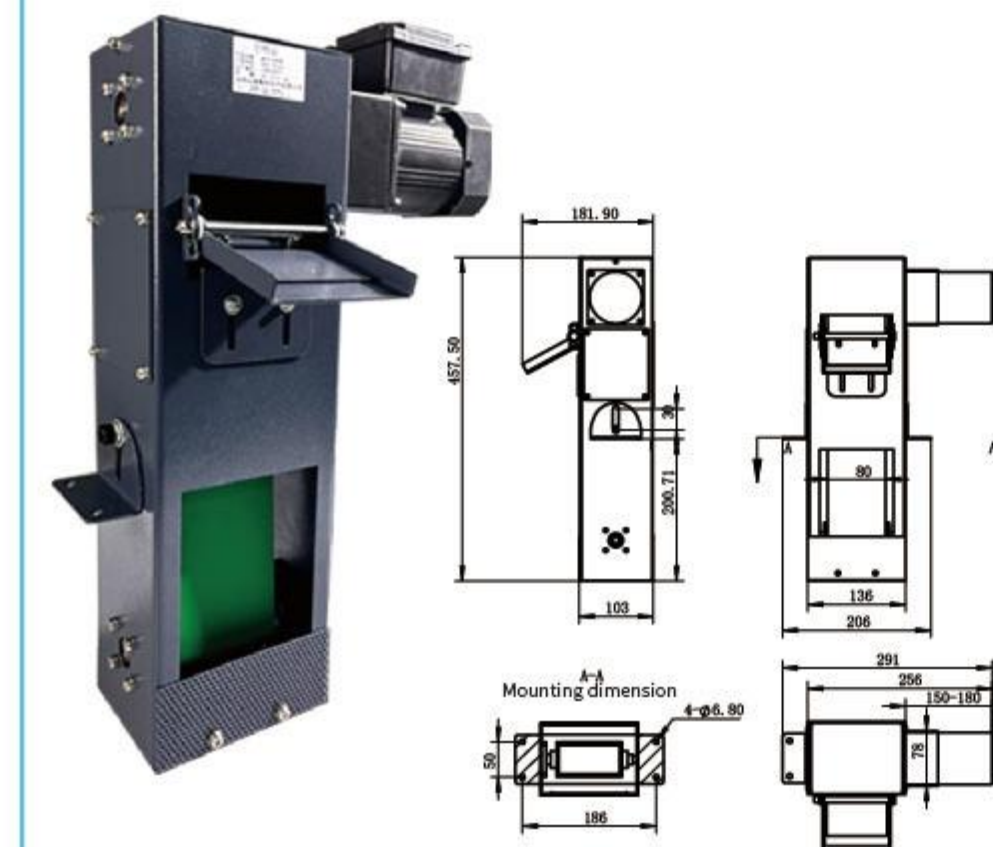
- ◆ 1.Simple structure, easy to maintain.
- ◆ 2.Using waterproof bearings, high reliability.
- ◆ 3. Compact modular design with physical separation, generating no secondary contamination.
- ◆ 4.Scraper provides adjustable angle function, which is convenient for users.

TECHNICAL PARAMETERS

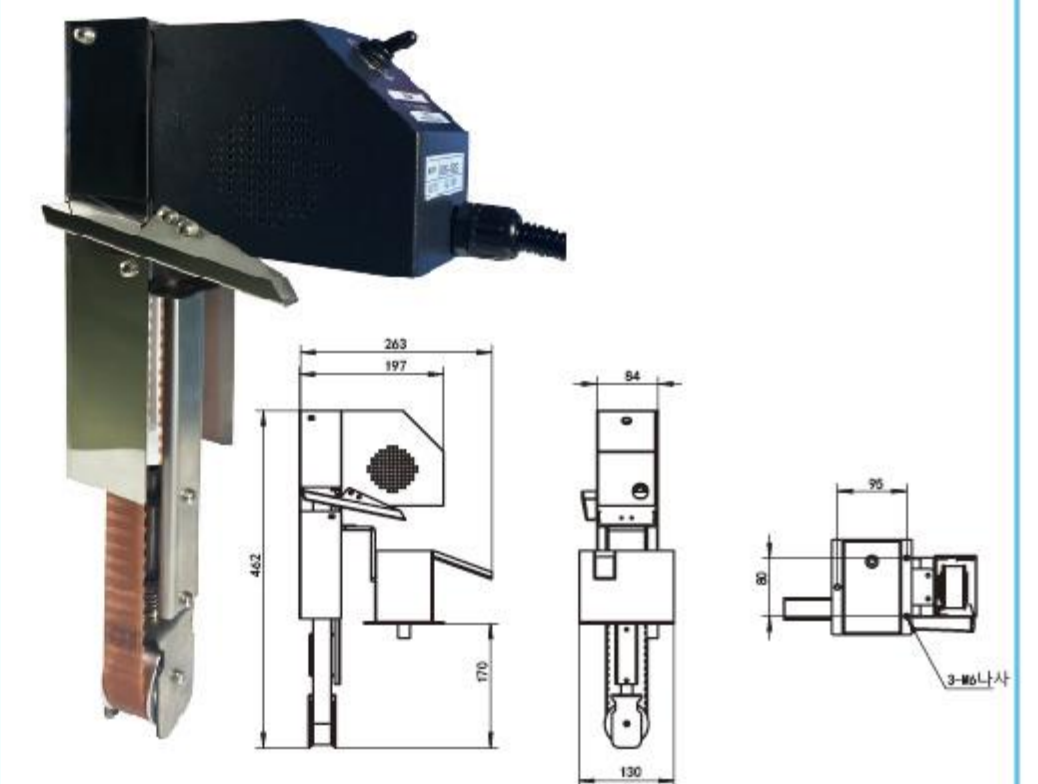
Model No.	YSF2-25150	YSF3-350	YSF3-25150-YP	YSF3-14020
Power Supply	THREE-PHASE380V/220V SINGLE-PHASE220V	SINGLE-PHASE110V/220V	THREE-PHASE380V/220V SINGLE-PHASE220V	SINGLE-PHASE220V
Power (W)	25W	6W	25W	14W
Motor Speed (r/min)	1250	1400	1250	20
Gear Reduction Ratio	1:150	1:120	1:150	
Current (A)	0.4	0.3	0.4	0.11
Separation Efficiency and Flow Rate(Uh)	99% 1.5	99% 1.5	99% 1.5	99% 1.5
Synchronous Belt Material	PU	PU	stainless	stainless
Dimensions (L×W×H, without oil box)	291×200×460	265×130×465	320×120×311	260×140×379
Color	Black/gray (customizable)			

OUTLINE AND MOUNTING DIMENSIONS

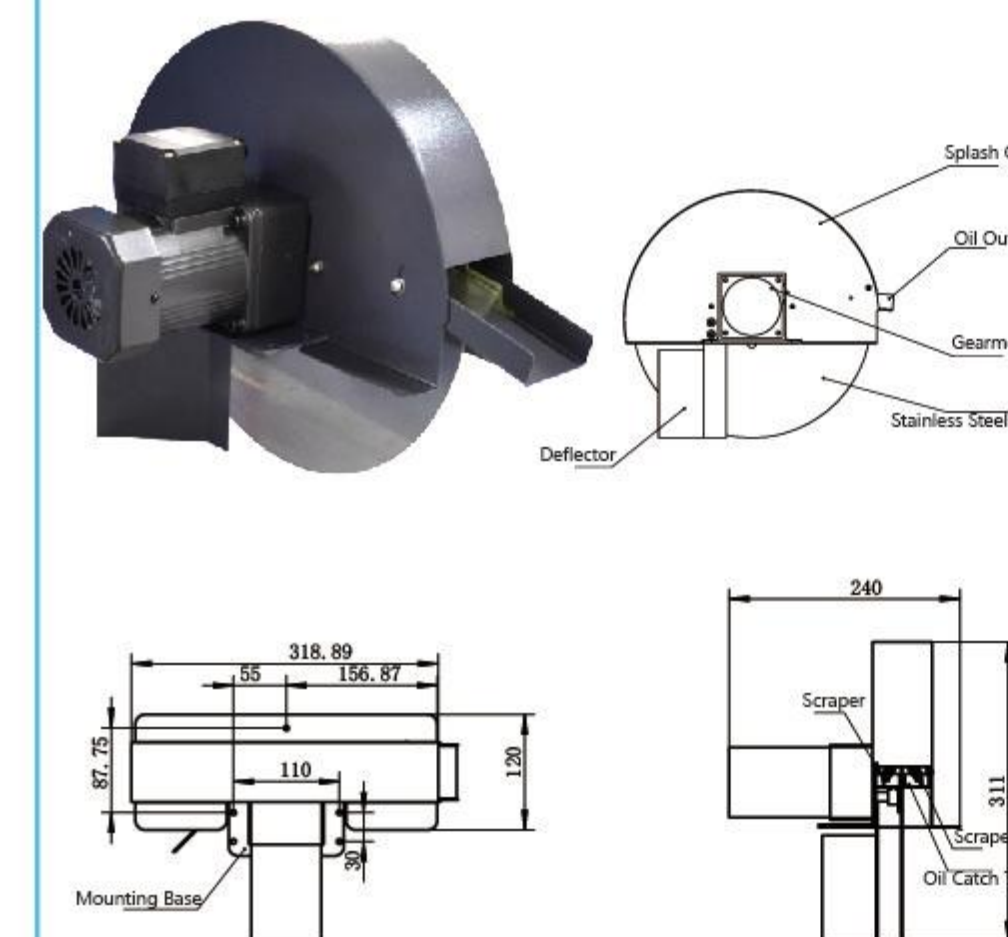
YSF2-25150 Size Description



YSF3-350 Size Description



YSF3-25150-YP Size Description



YSF3-14020 Size Description

