

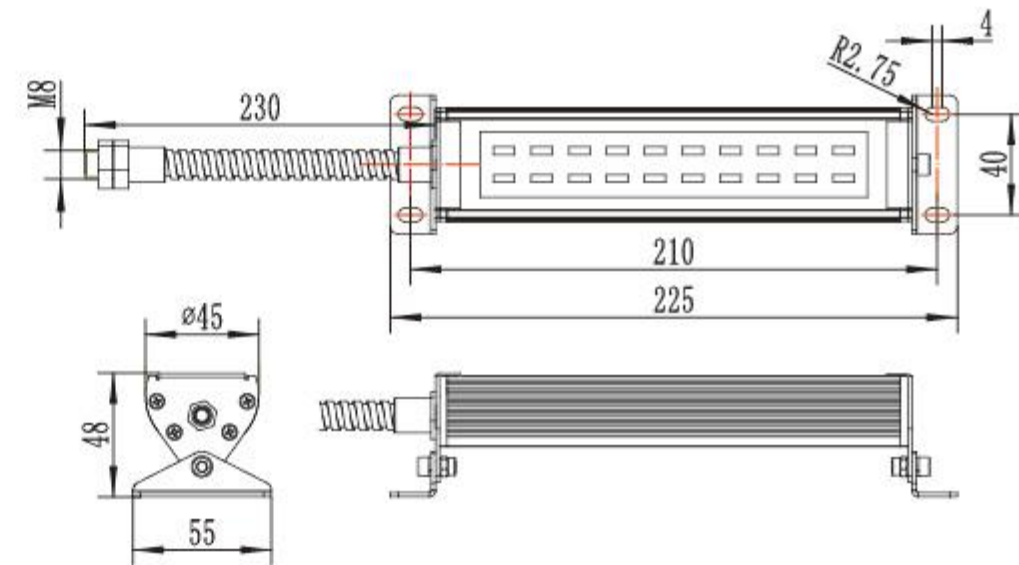
TECHNICAL PARAMETERS AND FEATURES

Model	GZD-L210-40	GZD-L236KB	GZD-L402-59-MS	GZD-L21W-KB
Technical Parameters				
Lens Material	Soda-lime glass	Soda-lime glass	Soda-lime glass	Soda-lime glass
Color temperature	6000~6500k	6000~6500k	6000~6500k	6000~6500k
Angle of illumination	138°	138°	138°	138°
Operating voltage	DC24V±2V	DC24V±2V	DC24V±2V	AC/DC24V±2V
Rated power	6W	6W	12W	21W
Service life	50000h	50000h	50000h	50000h
Ambient temperature	-30°C至+50°C	-30°C至+50°C	-30°C至+50°C	-30°C至+50°C
Insulation Resistance	≥ 500 MΩ (between live parts and non-live metal parts)			
Dielectric Strength	No breakdown at AC 500 V for 1 minute (between live parts and non-live metal parts)			
Product Features	<ul style="list-style-type: none"> ★Anodized aluminum alloy housing with excellent wear, heat, and corrosion resistance; ★Efficient heat dissipation for extended LED service life; ★Adjustable mounting bracket with ±45° light angle adjustment; ★High-brightness LED chips with uniform light distribution and high efficiency; ★304 stainless steel flexible conduit at cable outlet for enhanced cable protection; ★Fully sealed end caps with potting, rated IP67 for water and dust protection; 			
适用机型	CNC machining centers, CNC lathes, drilling and tapping centers, large laser systems, and other industrial machinery.			

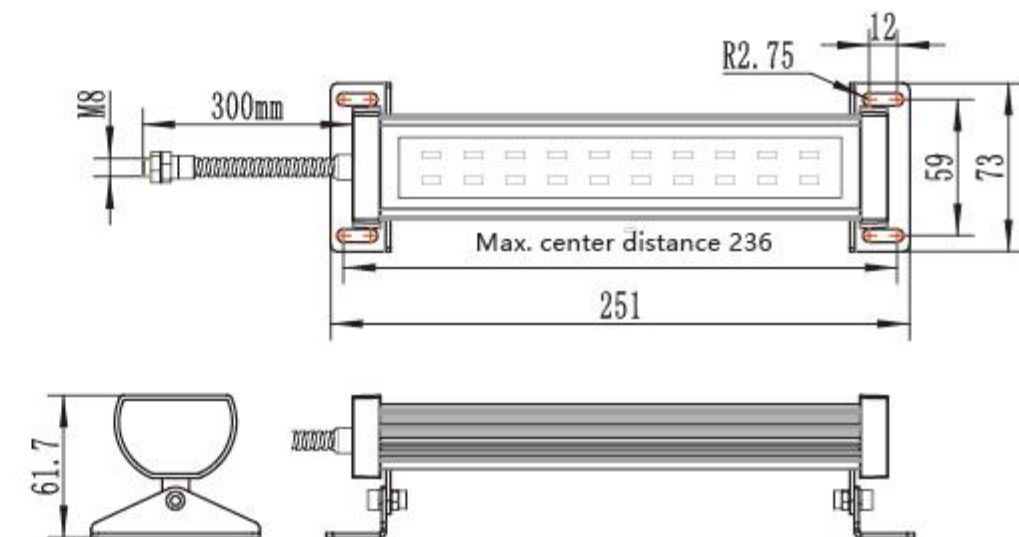
PRECAUTIONS

- ◆ 1. Must be wired by qualified personnel. Ensure all connections are secure and verify correct power input polarity/voltage;
- ◆ 2. Slight variations in brightness are inherent to LED manufacturing and do not indicate a defect;
- ◆ 3. Operate strictly within the rated voltage range. Over-voltage will cause irreversible damage;
- ◆ 4. Handle with care. Do not strike or apply pressure to the glass lens;
- ◆ 5. The flexible conduit fitting features an M8 thread. Compatible with M16×1.5 or M20×1.5 adapters.

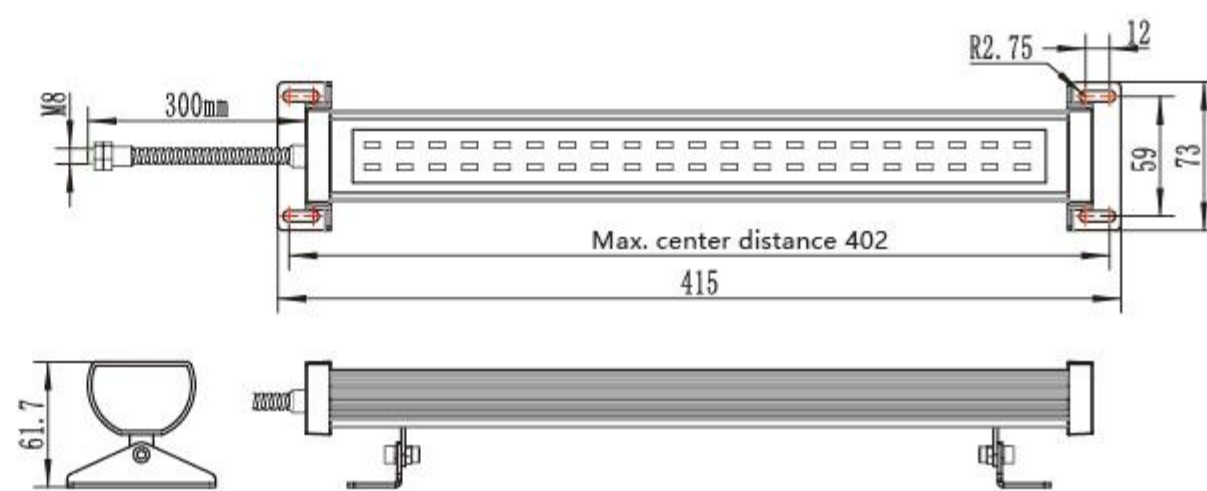
GZD-L210-40



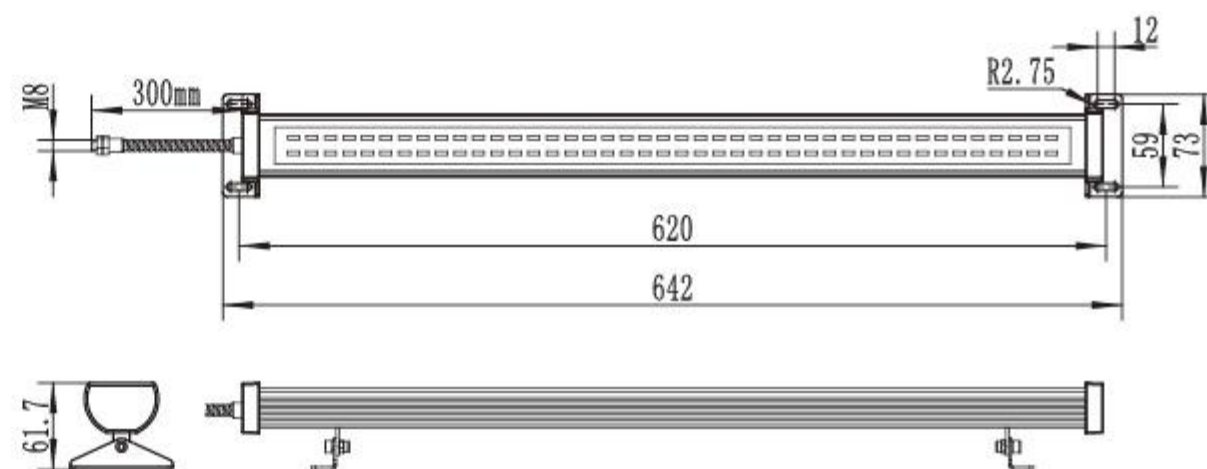
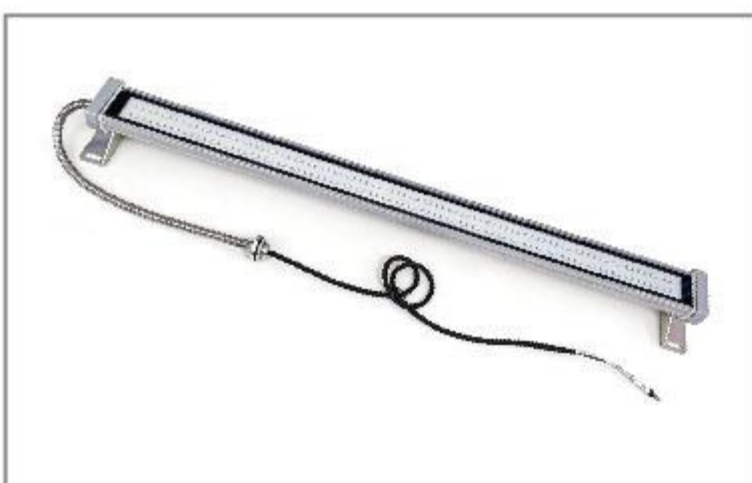
GZD-L236KB



GZD-L402-59-MS



GZD-21W-KB



GZD-E-YTDK SERIES WORK LIGHT

FEATURES

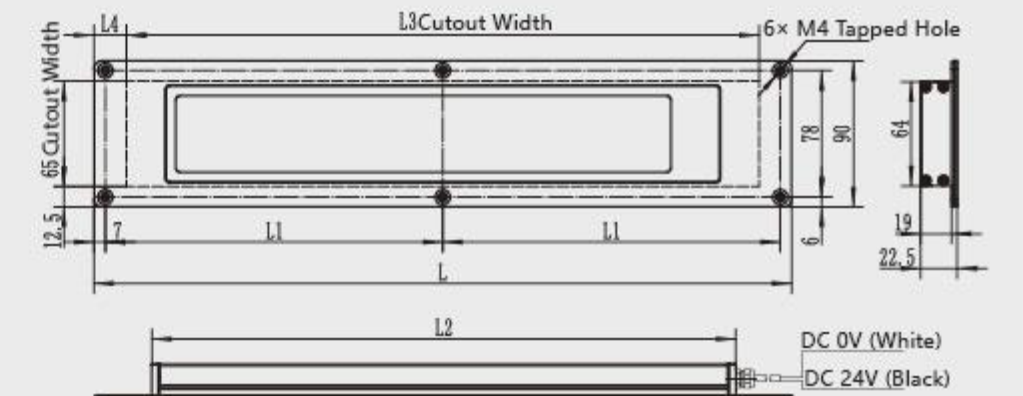
- ◆ Brushed aluminum finish with a sleek matte texture;
- ◆ Aluminum housing with excellent wear, heat, and corrosion resistance;
- ◆ Efficient heat dissipation for extended LED service life;
- ◆ High-brightness LEDs paired with a high-transmittance sandblasted diffuser deliver uniform illumination;
- ◆ Flush-mount installation conserves space inside the machine enclosure;
- ◆ Operates on safe DC 24 V power with built-in reverse polarity protection;

TECHNICAL PARAMETERS

Lens Material	Ultra-clear tempered glass
Color Temperature	6000-6500k
Operating Voltage	DC24V±2V
Rated Power	12W 18W 24W
Service Life	50000h
Ambient Temperature	-20°C~+50°C
Insulation Resistance	≥ 500 MΩ (between live parts and non-live metal parts)
Dielectric Strength	No breakdown at AC 500 V for 1 minute (between live parts and non-live metal parts)



MOUNTING DIMENSIONS



	L	L1	L2	L3	L4
12W	280	133	250	253	13.5
18W	360	173	320	330	15
24W	430	208	360	390	20

GZD-E-12W-LT SERIES WORK LIGHT

FEATURES

1. Aluminum housing with excellent wear, heat, and corrosion resistance;
2. Efficient heat dissipation for extended LED service life;
3. High-brightness LEDs paired with a high-transmittance frosted glass deliver uniform illumination;
4. Top cover features a textured orange-peel matte white finish; flush-mount installation integrates seamlessly into the sheet metal panel;
5. Operates on safe DC 24 V power with built-in reverse polarity protection;

TECHNICAL PARAMETERS

Lens Material	Frosted tempered glass
Color Temperature	6000-6500k
Operating Voltage	DC24V±2V
Rated Power	12W 18W 24W
Service Life	50,000 hours
Ambient Temperature	-20°C to +50°C
Insulation Resistance	≥ 500 MΩ (between live parts and non-live metal parts)
Dielectric Strength	No breakdown at AC 500 V for 1 minute (between live parts and non-live metal parts)



MOUNTING DIMENSIONS

