

PRODUCT OVERVIEW

Human-machine interface products are widely used in CNC machine tools, woodworking machinery, injection molding machinery, robots, textile machinery, engineering machinery, medical equipment and other industries, we can provide customers with CNC system appearance design, product OEM, machine Operation Panel support and other services. They are adapted to the market mainstream of the domestic and foreign high and middle-end CNC systems, such as Fanuc, Mitsubishi, Siemens, Huazhong CNC, GSK, KND, Syntec, Lynuc and so on. According to customer demand, we can provide a variety of communication connection methods, appearance processing technology, customized design of key material style.

CUSTOMIZATION SERVICES

01 Appearance Finishing

Customized design solutions available based on customer requirements, including enclosure design, color schemes, process selection, and branding elements, etc.



PRINTED OVERLAY FINISH



POWDER COATING FINISH



BRUSHED STAINLESS STEEL FINISH



ALUMINUM ALLOY WITH ANODIZED FINISH



3D TEXTURED FINISHING

02 Communication Interfaces

According to customer requirements, various communication protocols and interface options are available, providing flexible PLC connectivity.

CNC / PLC Bus Protocols

- FANUC IO-Link
- FANUC IO-LINK i
- MITSUBISHI CC-LINK
- SIEMENS Profinet
- BECKHOFF Ethercat
- STANDARD Modbus-RTU
- STANDARD Modbus-TCP

Communication Interfaces

- RS232
- RS422
- RS485
- EntherCAT

03 Keypad and Finish

According to customer requirements, Keypad Type and Surface Finishing options are available.

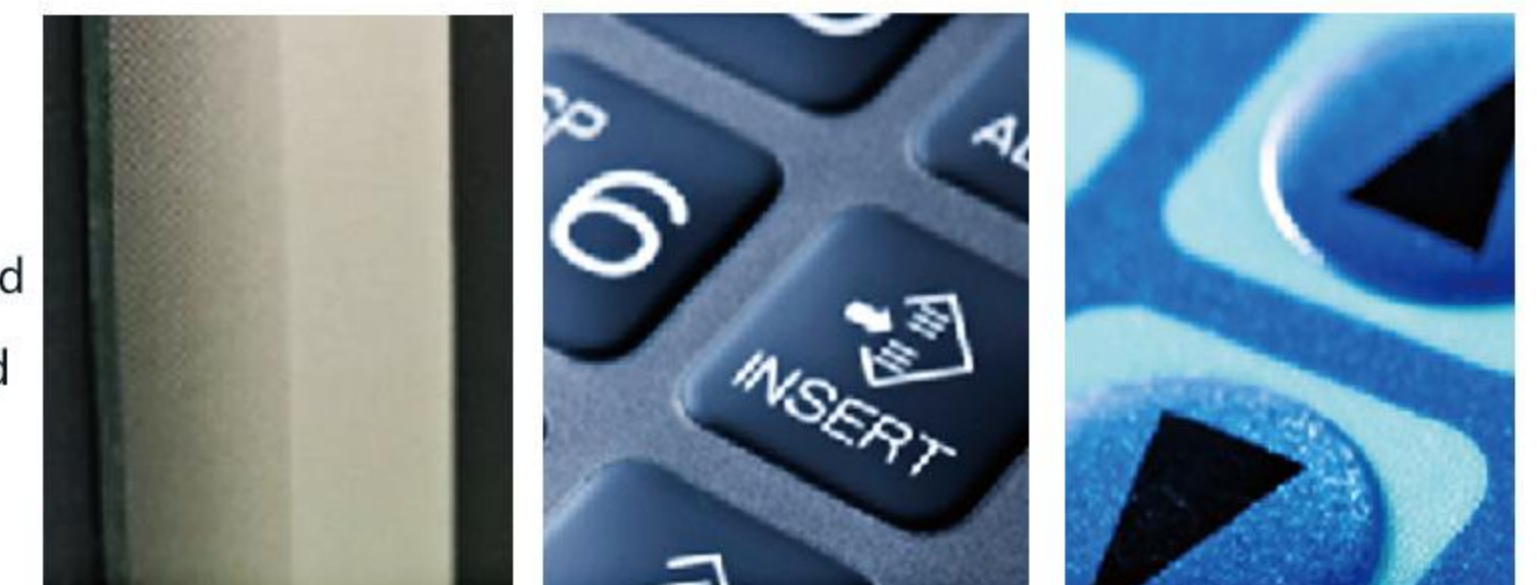
Keypad Type

- Membrane
- Crystal
- Laser Engraving
- Labelled



Surface Finish

- Dot-textured raised
- Oil-resistant raised
- Tactile raised





Huazhong System

Product Information

Product Process	Aluminum and magnesium alloy oxidation sandblasting
Key Type	Laser
Screen Size	12 inch



Lynuc System

Product Information

Product Process	Aluminum and magnesium alloy oxidation sandblasting
Key Type	Laser
Screen Size	12 inch



KND System

Product Information

Product Process	Sheet metal lamination
Key Type	Membrane
Screen Size	10.4 inch



GSK System

Product Information

Product Process	Aluminum and magnesium alloy oxidation sandblasting
Key Type	Laser
Screen Size	15 inch



i5 Intelligent Machine Tool-Operating Module System

Product Information

Product Process	Aluminum and magnesium alloy oxidation sandblasting
Key Type	Laser
Screen Size	12 inch



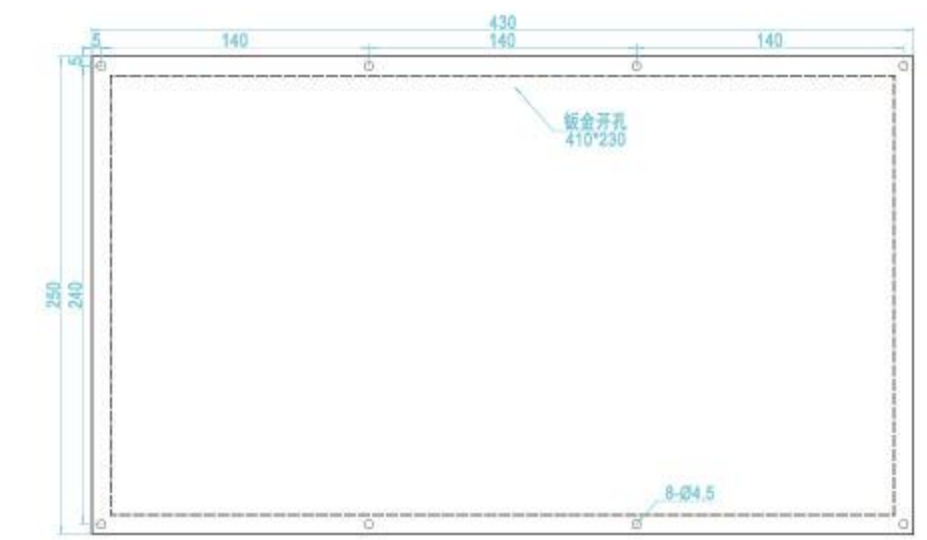
googoltech

Product Information

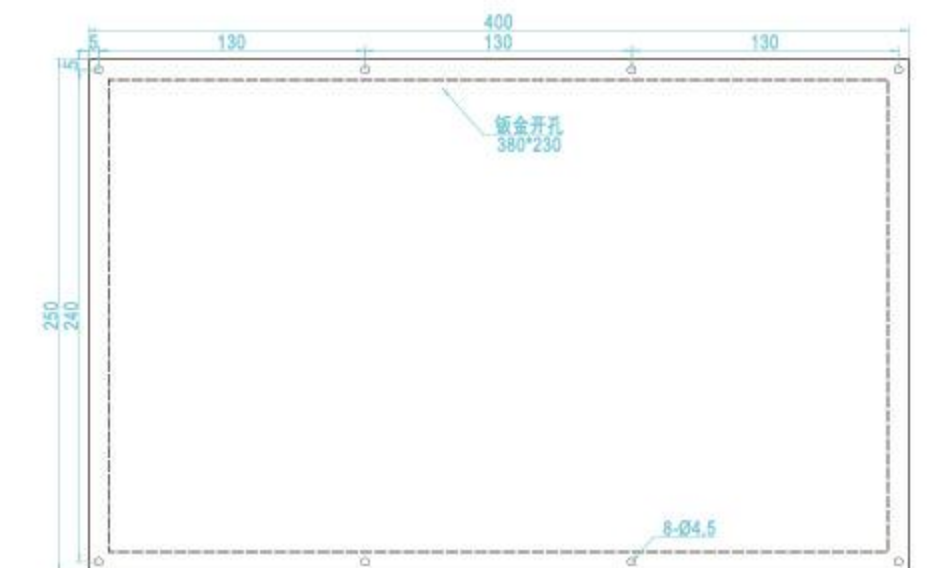
Product Process	Sheet metal with membrane overlay
Key Type	Crystal keys
Screen Size	12 inch



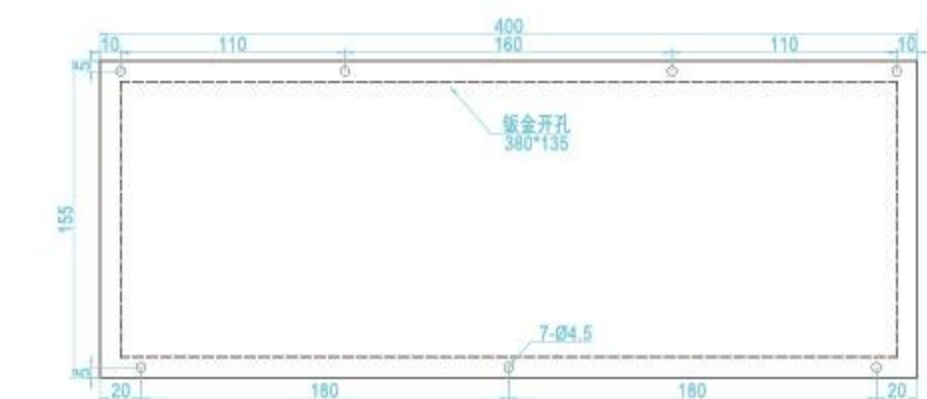
SS-TY-M80-N



SS-MCP-12B-JZ4



SS-FZD-B-2



Product Information

Product Name	Standard Machining Center Panel
Product Model	SS-TY-M80-N
Dimension Appearance	430×250
Applicable System	Mitsubishi M80
Working Voltage	DC24V ± 5%
Communication Method	Matrix Type
Encryption Method	Software encryption, and remote-control support

Product Information

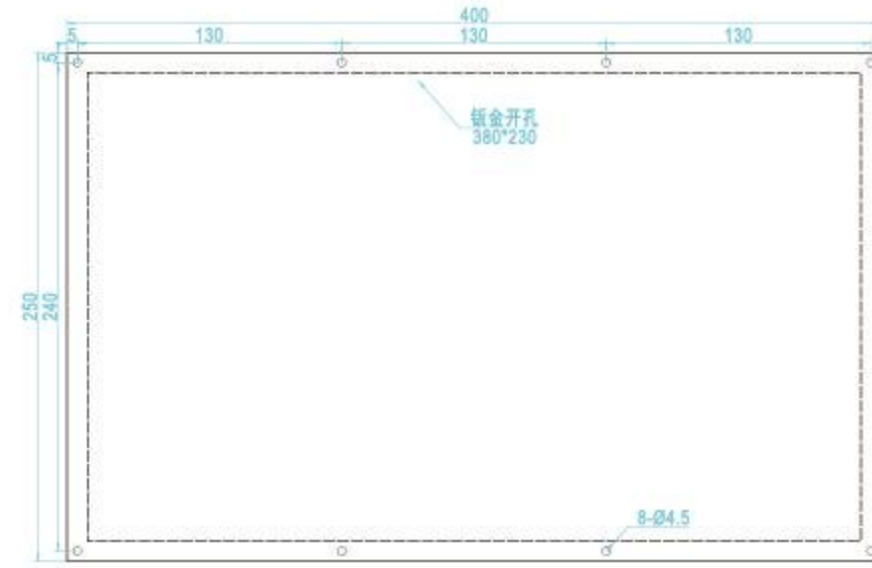
Product Name	Standard Machining Center Panel
Product Model	SS-MCP-12B-JZ4
Dimension Appearance	400×250
Applicable System	Fanuc/Mitsubishi
Working Voltage	DC24V ± 5%
Communication Method	Matrix Type
Encryption Method	Software encryption, and remote-control support

Product Information

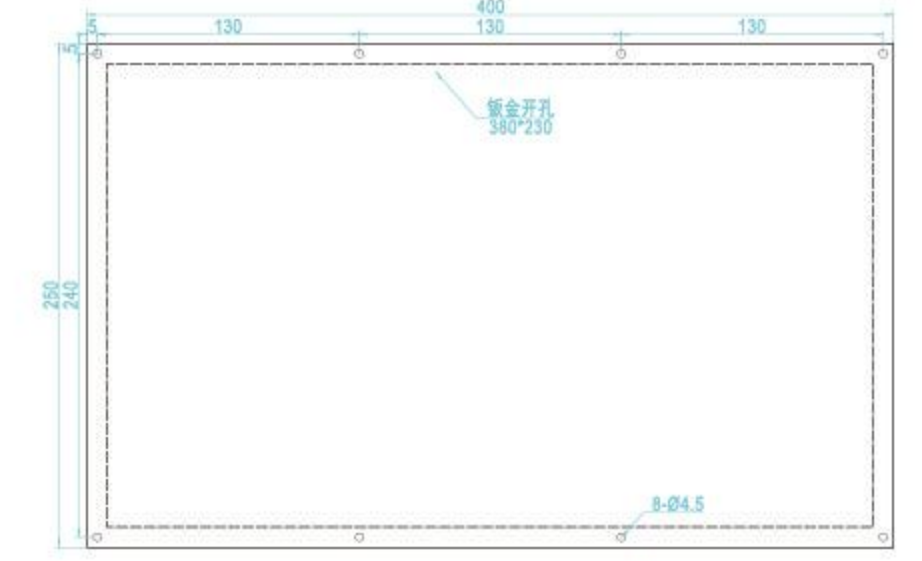
Product Name	Standard Machining Center Panel
Product Model	SS-FZD-B-2
Dimension Appearance	400×155
Applicable System	Fanuc
Working Voltage	DC24V ± 5%
Communication Method	Bus type
Encryption Method	Software encryption, and remote-control support



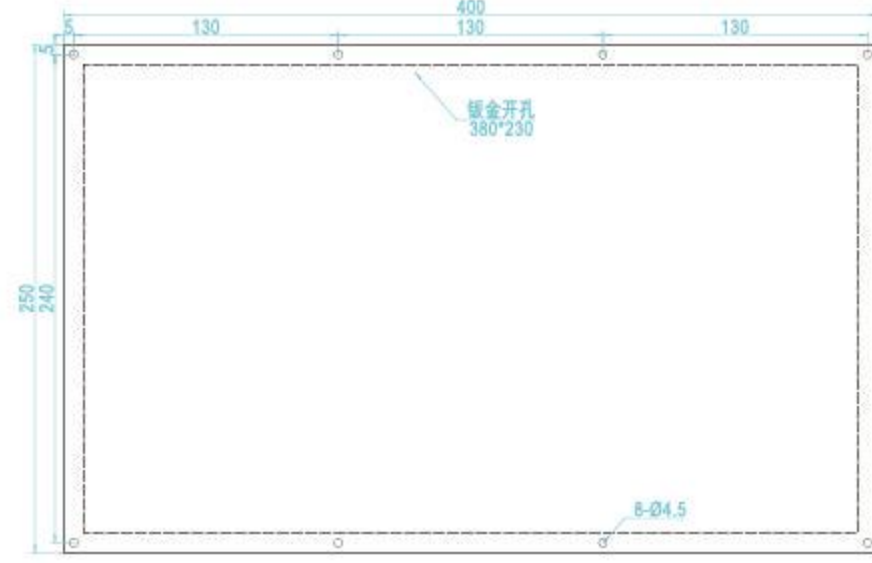
SS-4025MF-FZ



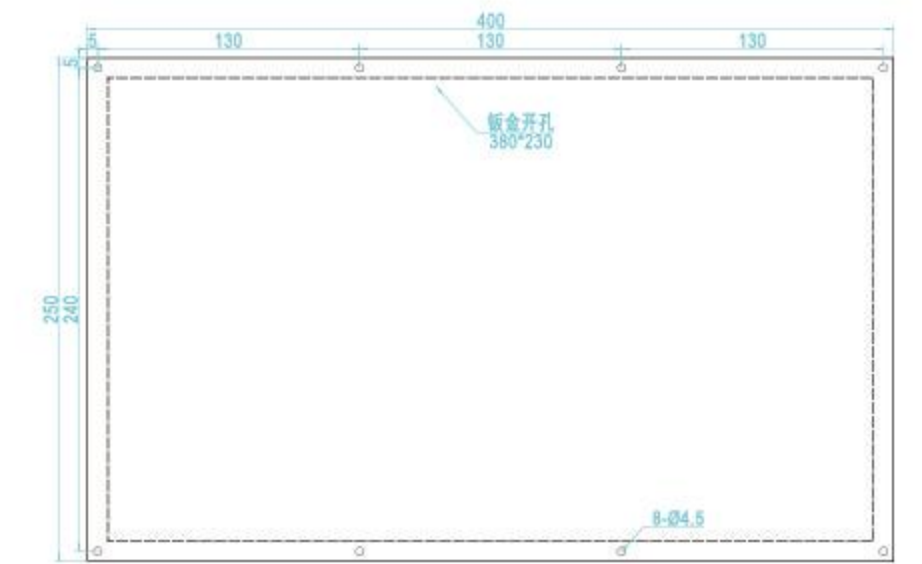
SS-4025M-TY-H2



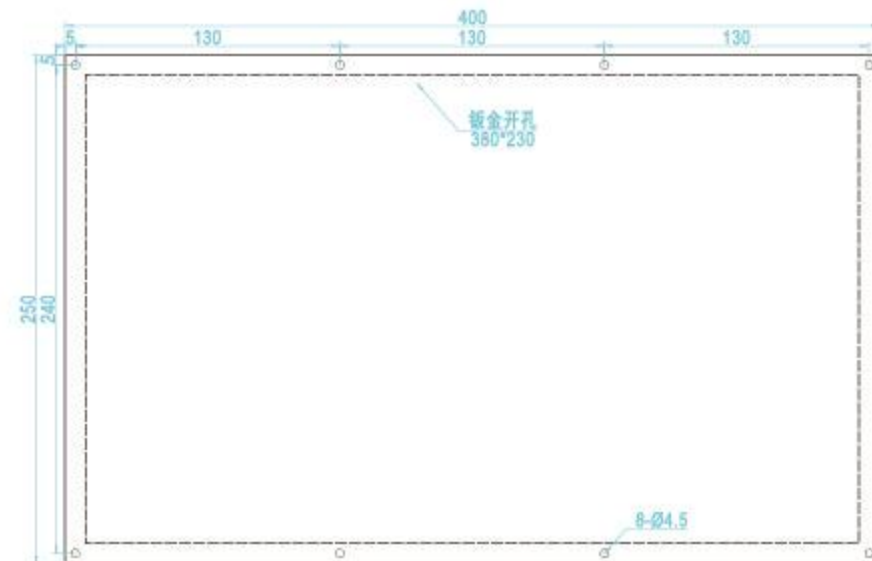
SS-4025MF-HD



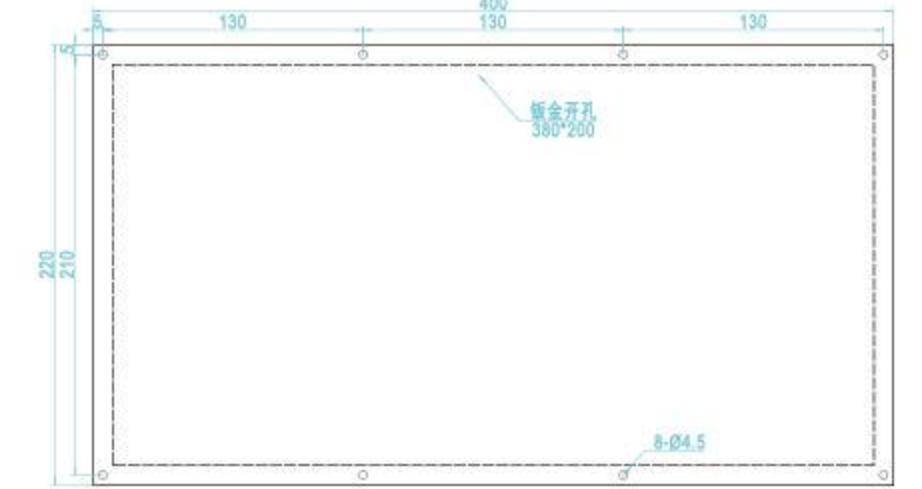
SS-4025M-TY-H1



SS-4025M-TY-BG



SS-4022M-JZ-YJT



Product Information	
Product Name	Standard Machining Center Panel
Product Model	SS-4025MF-FZ
Dimension Appearance	400×250
Applicable System	Fanuc
Working Voltage	DC24V ± 5%
Communication Method	Bus type
Encryption Method	Software encryption, and remote-control support

Product Information	
Product Name	Standard Machining Center Panel
Product Model	SS-4025MF-HD
Dimension Appearance	400×250
Applicable System	Fanuc/Mitsubishi
Working Voltage	DC24V ± 5%
Communication Method	Matrix Type
Encryption Method	Software encryption, and remote-control support

Product Information	
Product Name	Standard Machining Center Panel
Product Model	SS-4025M-TY-BG
Dimension Appearance	400×250
Applicable System	Fanuc/Mitsubishi
Working Voltage	DC24V ± 5%
Communication Method	Matrix Type
Encryption Method	Software encryption, and remote-control support

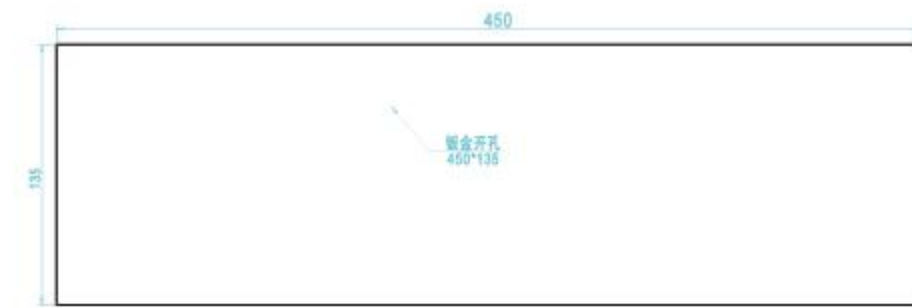
Product Information	
Product Name	Standard Machining Center Panel
Product Model	SS-4025M-TY-H2
Dimension Appearance	400×250
Applicable System	Fanuc/Mitsubishi
Working Voltage	DC24V ± 5%
Communication Method	Matrix Type
Encryption Method	Software encryption, and remote-control support

Product Information	
Product Name	Standard Machining Center Panel
Product Model	SS-4025M-TY-H1
Dimension Appearance	400×250
Applicable System	Fanuc/Mitsubishi
Working Voltage	DC24V ± 5%
Communication Method	Matrix Type
Encryption Method	Software encryption, and remote-control support

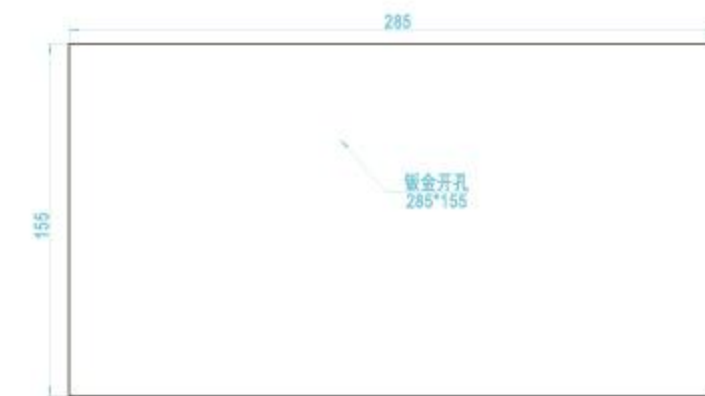
Product Information	
Product Name	Standard Machining Center Panel
Product Model	SS-4022M-JZ-YJT
Dimension Appearance	400×220
Applicable System	Fanuc/Mitsubishi
Working Voltage	DC24V ± 5%
Communication Method	Matrix Type
Encryption Method	Software encryption, and remote-control support



SS-MCP-483-PN



SS-MCP-310-PN



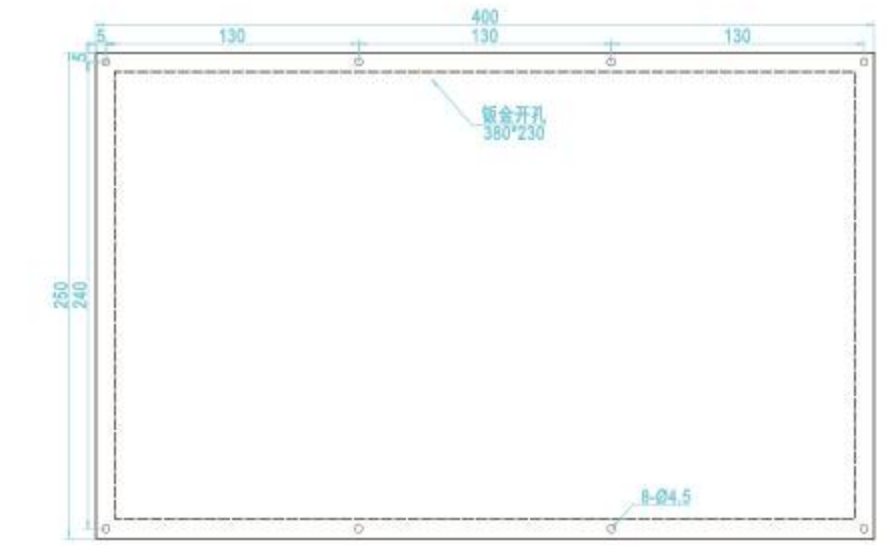
SS-MCP-464-P



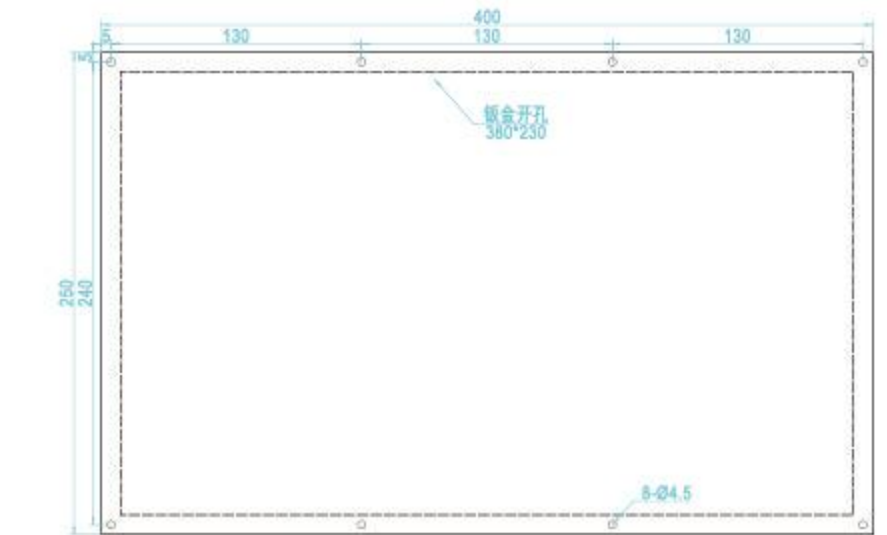
SS-MCP-326-P



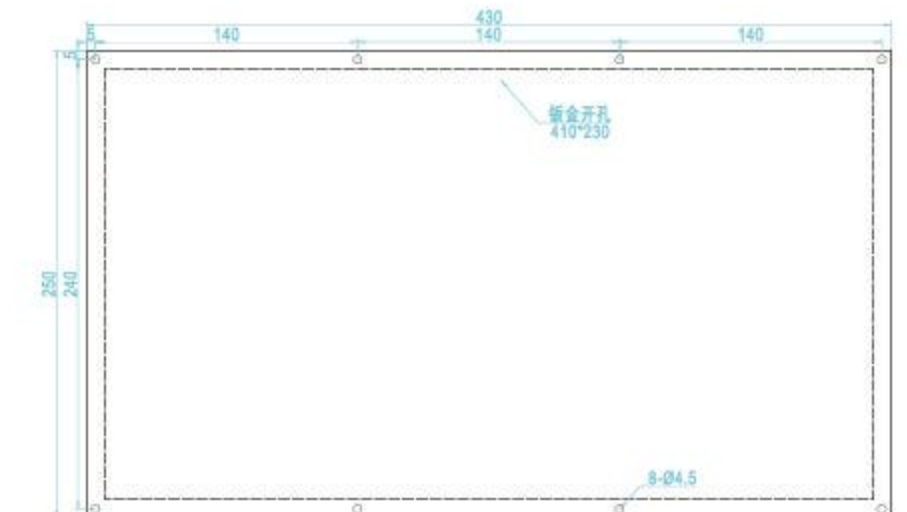
SS-4025M-ST



XDKB01-V3



KND-Cc4325M5.2S



Product Information	
Product Name	Standard Machining Center Panel
Product Model	SS-MCP-483-PN
Dimension Appearance	483x155
Applicable System	Siemens
Working Voltage	DC24V ± 5%
Communication Method	Matrix Type
Encryption Method	Software encryption, and remote-control support

Product Information	
Product Name	Standard Machining Center Panel
Product Model	SS-MCP-310-PN
Dimension Appearance	310x175
Applicable System	Siemens
Working Voltage	DC24V ± 5%
Communication Method	Matrix Type
Encryption Method	Software encryption, and remote-control support

Product Information	
Product Name	Standard Machining Center Panel
Product Model	SS-MCP-464-P
Dimension Appearance	464x155
Applicable System	Siemens
Working Voltage	DC24V ± 5%
Communication Method	Matrix Type
Encryption Method	Software encryption, and remote-control support

Product Information	
Product Name	Standard Machining Center Panel
Product Model	SS-MCP-326-P
Dimension Appearance	326x175
Applicable System	Siemens
Working Voltage	DC24V ± 5%
Communication Method	Matrix Type
Encryption Method	Software encryption, and remote-control support

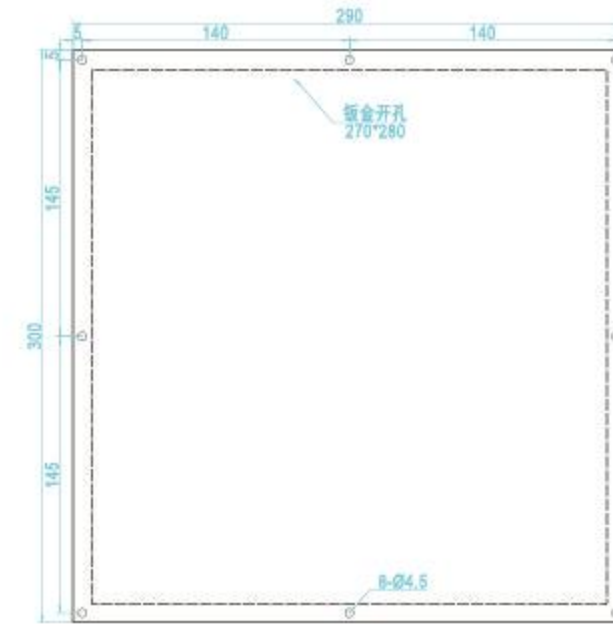
Product Information	
Product Name	Custom machining center panel
Product Model	SS-4025M-ST
Dimension Appearance	400x250
Applicable System	Syntec
Working Voltage	DC24V ± 5%
Communication Method	Matrix Type/Syntec Protocol
Encryption Method	Not supported for the panel

Product Information	
Product Name	Standard Machining Center Panel
Product Model	XDKB01-V3
Dimension Appearance	400x250
Applicable System	Syntec
Working Voltage	DC24V ± 5%
Communication Method	Matrix Type/Syntec Protocol
Encryption Method	Not supported for the panel

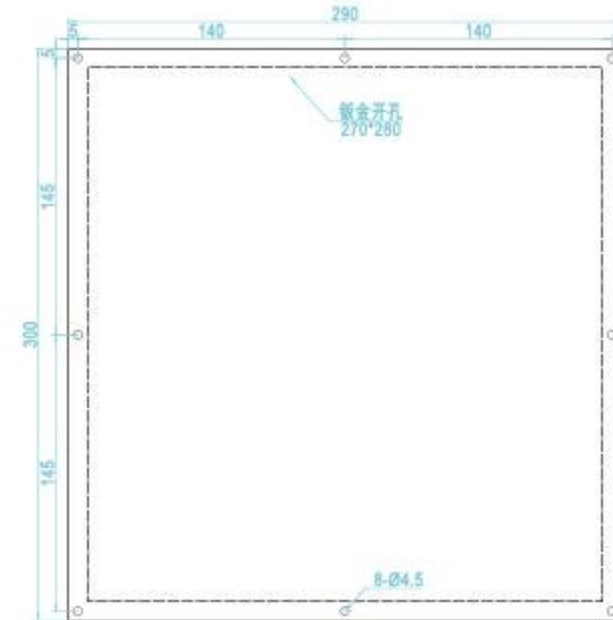
Product Information	
Product Name	Custom machining center panel
Product Model	KND-Cc4325M5.2S
Dimension Appearance	430x250
Applicable System	KND
Working Voltage	DC24V ± 5%
Communication Method	RS485 communication
Encryption Method	Not supported for the panel



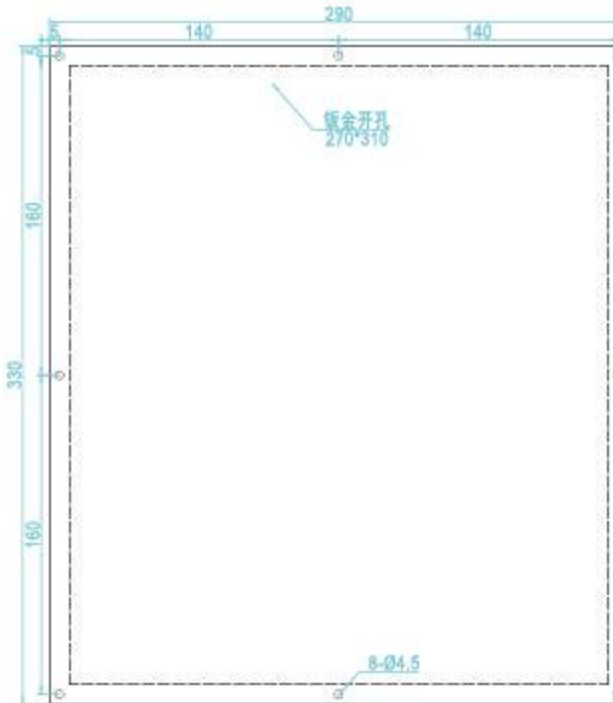
PRSKB03H2



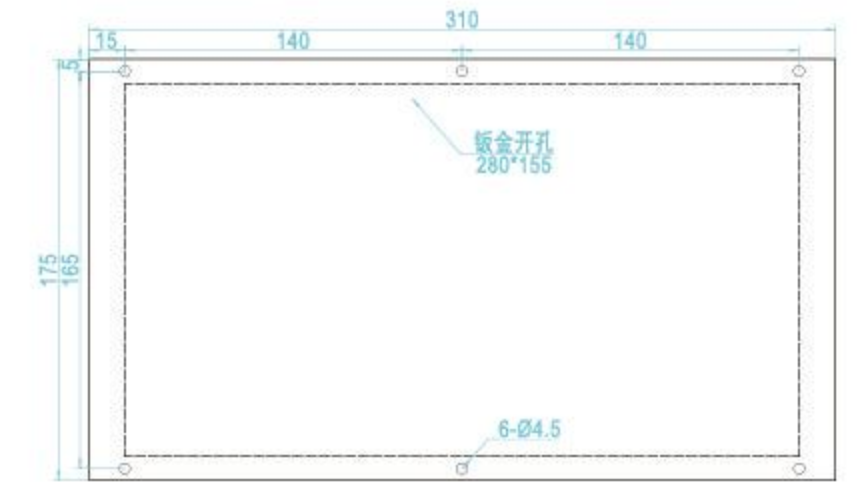
SS-2930FM-JZ-BJ



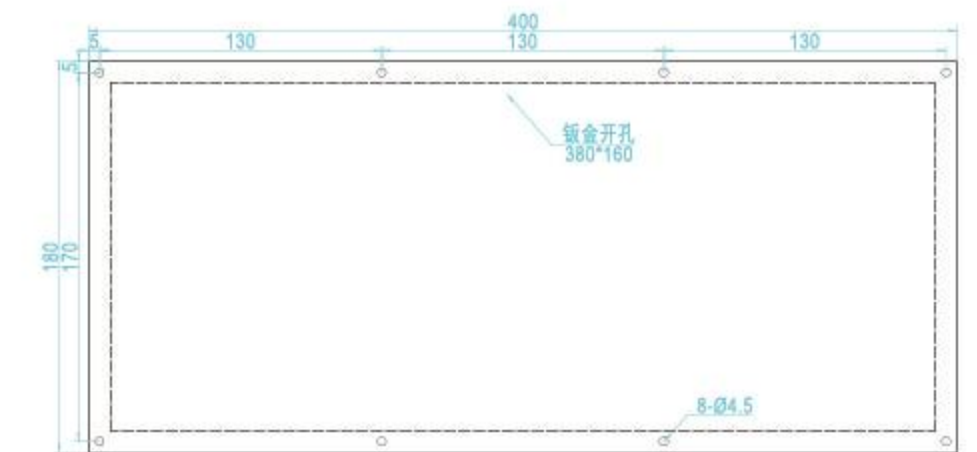
SS-2933M-TY-JZ



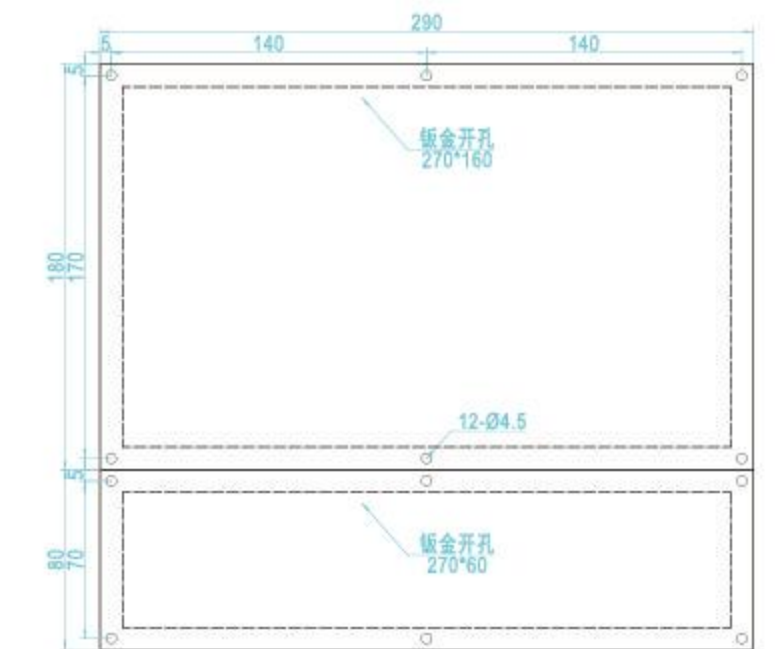
SS-828D



SS-FM-B-2



SS-FM-B+SS-FM-B-8



Product Information	
Product Name	Standard Machining Center Panel
Product Model	PRSKB03H2
Dimension Appearance	290×300
Applicable System	Fanuc/Mitsubishi
Working Voltage	DC24V ± 5%
Communication Method	Matrix Type
Encryption Method	Software encryption, and remote-control support

Product Information	
Product Name	Standard Machining Center Panel
Product Model	SS-2930FM-JZ-BJ
Dimension Appearance	290×300
Applicable System	Fanuc/Mitsubishi
Working Voltage	DC24V ± 5%
Communication Method	Matrix Type
Encryption Method	Software encryption, and remote-control support

Product Information	
Product Name	Standard Machining Center Panel
Product Model	SS-2933M-TY-JZ
Dimension Appearance	290×330
Applicable System	Fanuc/Mitsubishi
Working Voltage	DC24V ± 5%
Communication Method	Matrix Type
Encryption Method	Software encryption, and remote-control support

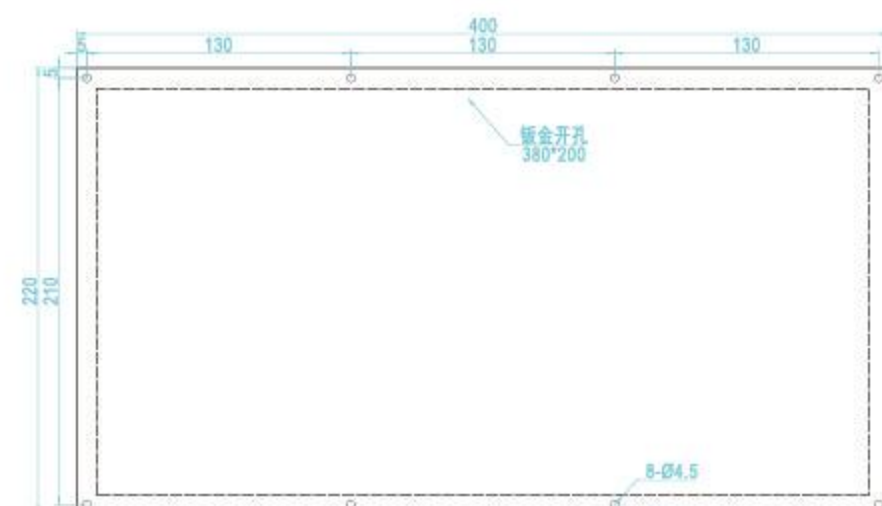
Product Information	
Product Name	Standard Machining Center Panel
Product Model	SS-828D
Dimension Appearance	310×175
Applicable System	Siemens
Working Voltage	DC24V ± 5%
Communication Method	Matrix Type
Encryption Method	Not supported for the panel

Product Information	
Product Name	Standard Machining Center Panel
Product Model	SS-FM-B-2
Dimension Appearance	400×180
Applicable System	Fanuc
Working Voltage	DC24V ± 5%
Communication Method	Matrix Type
Encryption Method	Not supported for the panel

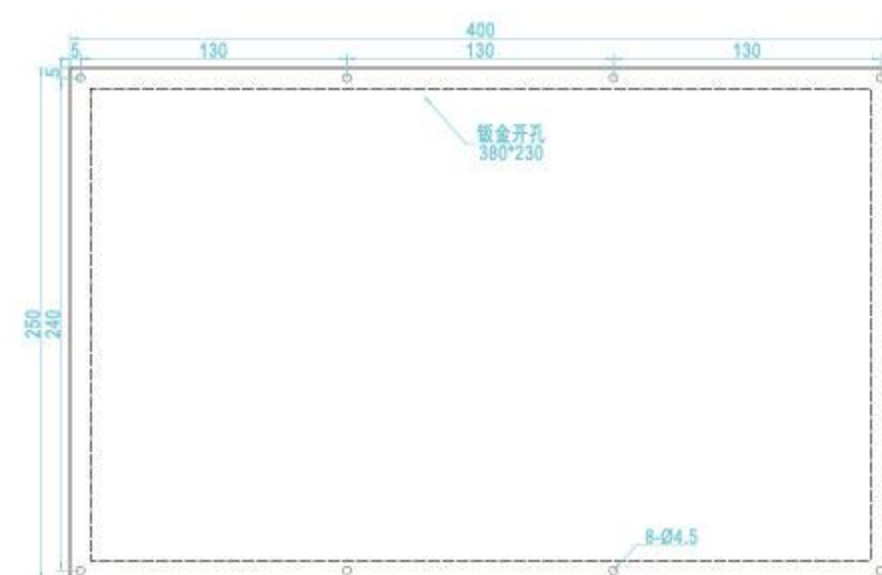
Product Information	
Product Name	Standard Machining Center Panel
Product Model	SS-FM-B+SS-FM-B-8
Dimension Appearance	290×180+290×80
Applicable System	Fanuc
Working Voltage	DC24V ± 5%
Communication Method	Matrix Type
Encryption Method	Not supported for the panel



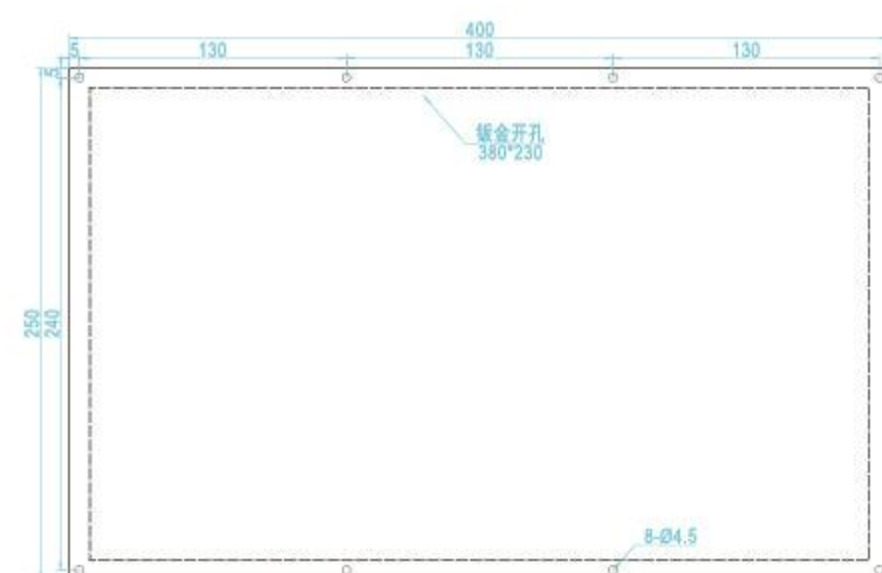
SS-BZ-TC



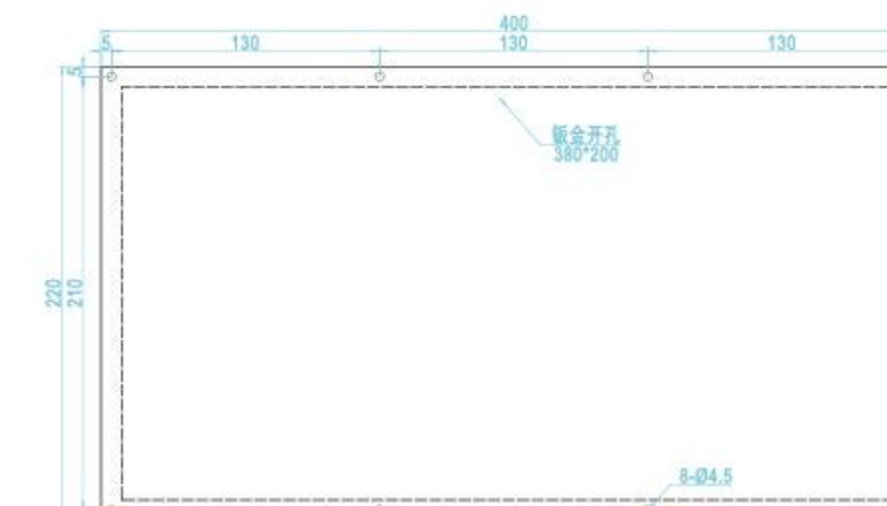
SS-BZ-4025T



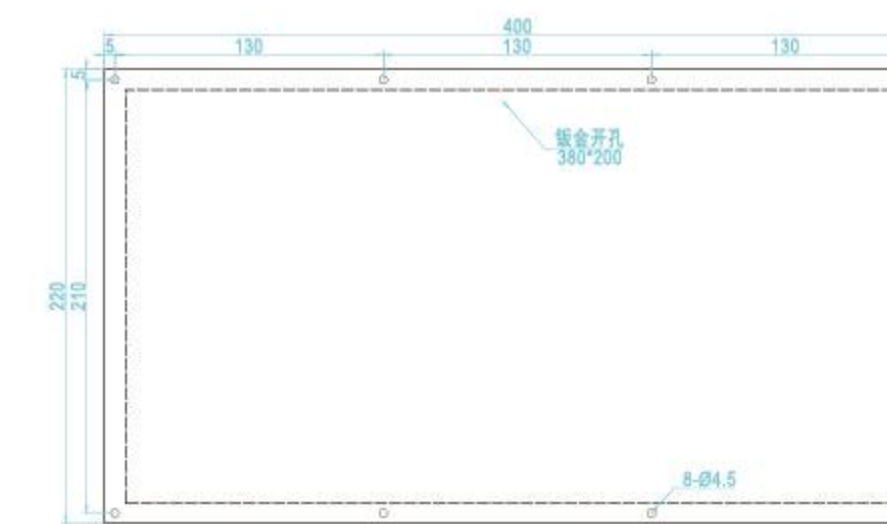
SS-4025T-JZ-ZJJH



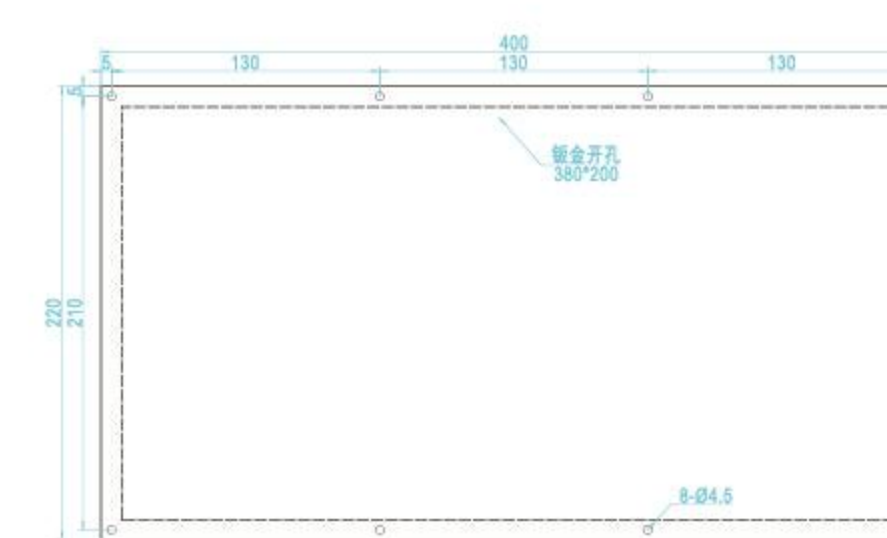
SS-BZ-TC-V1



SS-4022T-JY-JZ



FCT-400H-FM



Product Information	
Product Name	Standard lathe panel
Product Model	SS-BZ-TC
Dimension Appearance	400×220
Applicable System	Fanuc/Mitsubishi
Working Voltage	DC24V ± 5%
Communication Method	Matrix Type
Encryption Method	Software encryption and remote-control support

Product Information	
Product Name	Standard lathe panel
Product Model	SS-BZ-4025T
Dimension Appearance	400×250
Applicable System	Fanuc/Mitsubishi
Working Voltage	DC24V ± 5%
Communication Method	Matrix Type
Encryption Method	Software encryption and remote-control support

Product Information	
Product Name	Standard lathe panel
Product Model	SS-4025T-JZ-ZJJH
Dimension Appearance	400×250
Applicable System	Fanuc/Mitsubishi
Working Voltage	DC24V ± 5%
Communication Method	Matrix Type
Encryption Method	Not supported for the panel

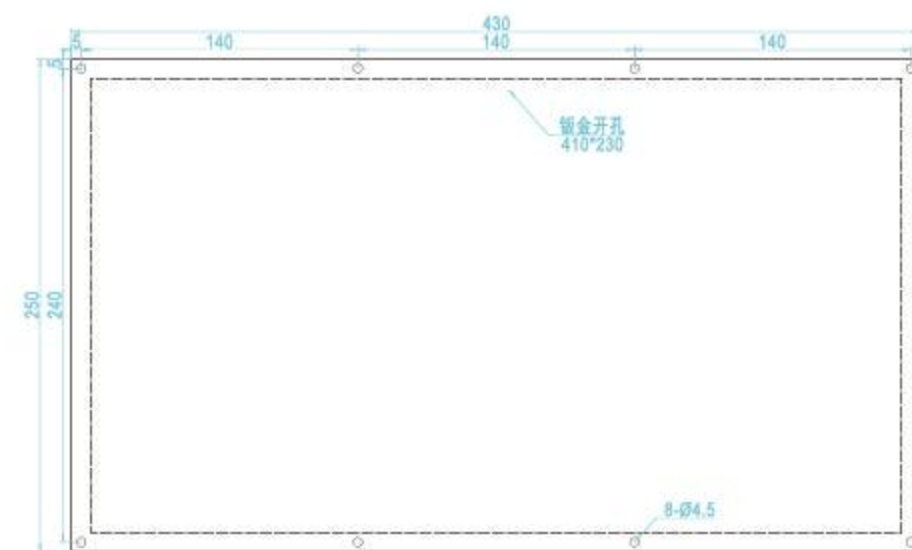
Product Information	
Product Name	Standard lathe panel
Product Model	SS-BZ-TC-V1
Dimension Appearance	400×220
Applicable System	Fanuc/Mitsubishi
Working Voltage	DC24V ± 5%
Communication Method	Matrix Type
Encryption Method	Software encryption and remote-control support

Product Information	
Product Name	Standard lathe panel
Product Model	SS-4022T-JY-JZ
Dimension Appearance	400×220
Applicable System	Fanuc
Working Voltage	DC24V ± 5%
Communication Method	Matrix Type
Encryption Method	Not supported for the panel

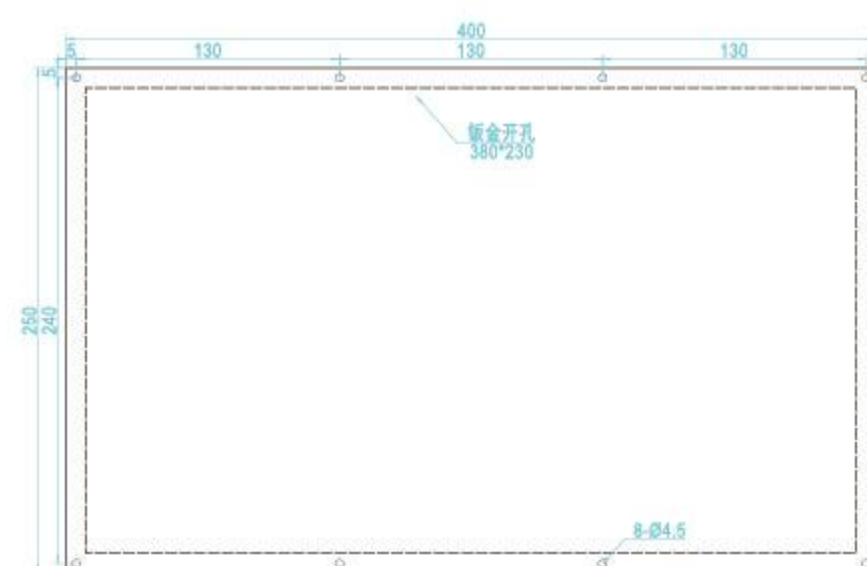
Product Information	
Product Name	Standard lathe panel
Product Model	FCT-400H-FM
Dimension Appearance	400×220
Applicable System	Fanuc/Mitsubishi M80
Working Voltage	DC24V ± 5%
Communication Method	Point to Point
Encryption Method	Not supported for the panel



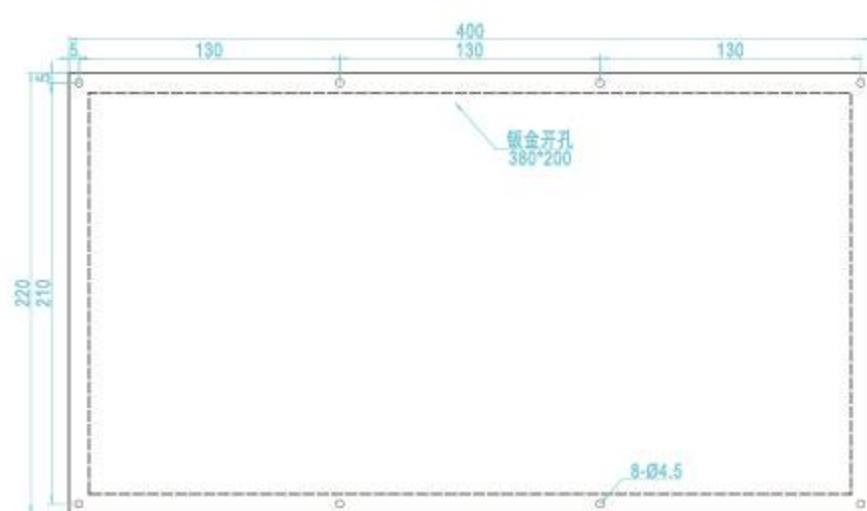
SS-4325H-M3



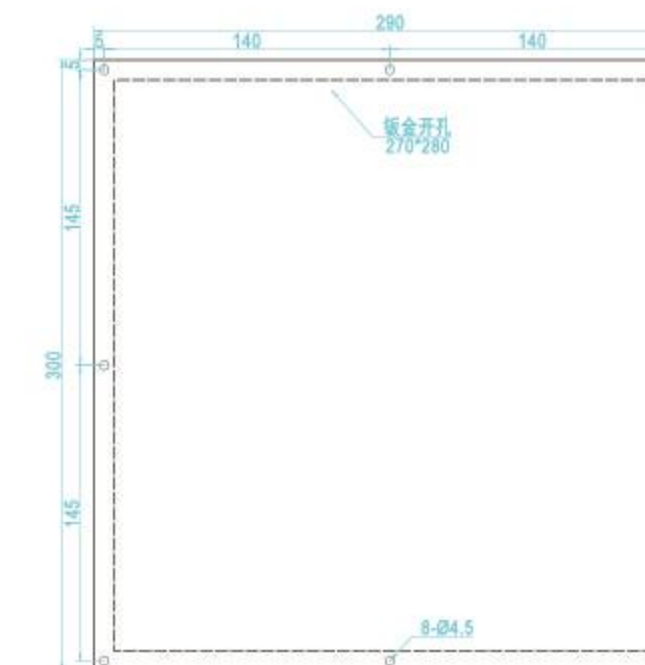
SS-HMKB01-XD



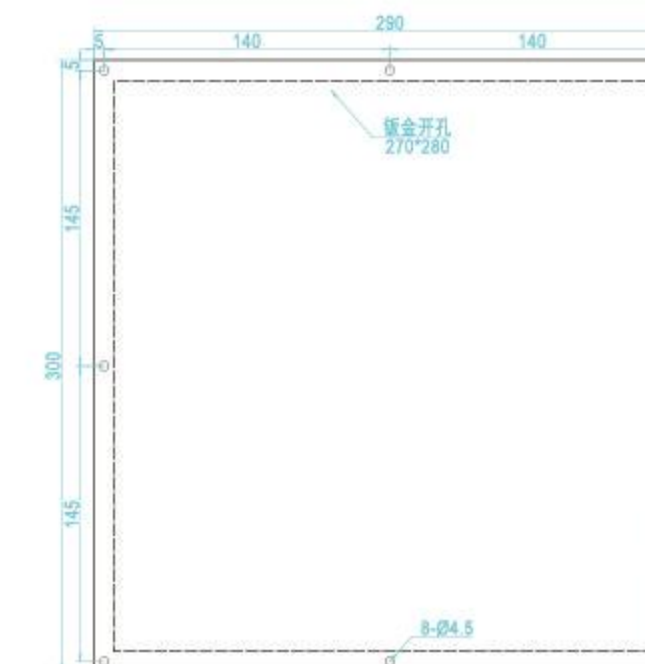
ST4022T



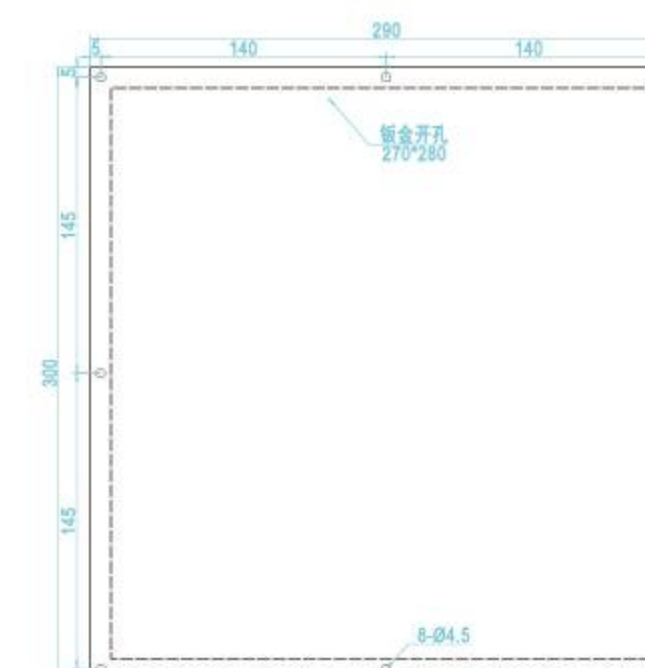
SS-BZ-4025VT



SK-F0VE1



SS-2930VT



Product Information	
Product Name	Standard lathe panel
Product Model	SS-4325H-M3
Dimension Appearance	430×250
Applicable System	Mitsubishi
Working Voltage	DC24V ± 5%
Communication Method	Matrix Type
Encryption Method	Not supported for the panel

Product Information	
Product Name	Standard lathe panel
Product Model	SS-HMKB01-XD
Dimension Appearance	400×250
Applicable System	Syntec
Working Voltage	DC24V ± 5%
Communication Method	Syntec Protocol
Encryption Method	Not supported for the panel

Product Information	
Product Name	Standard lathe panel
Product Model	ST4022T
Dimension Appearance	400×220
Applicable System	Syntec
Working Voltage	DC24V ± 5%
Communication Method	Syntec Protocol
Encryption Method	Not supported for the panel

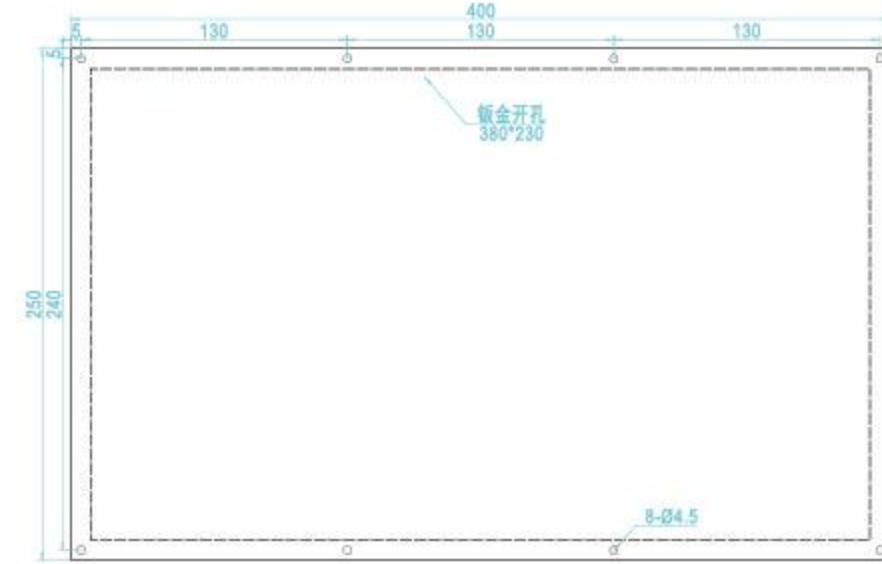
Product Information	
Product Name	Standard lathe panel
Product Model	SS-BZ-4025VT
Dimension Appearance	290×300
Applicable System	Fanuc/Mitsubishi
Working Voltage	DC24V ± 5%
Communication Method	Matrix Type
Encryption Method	Software encryption, and remote-control support

Product Information	
Product Name	Custom Lathe Panel
Product Model	SK-F0VE1
Dimension Appearance	290×300
Applicable System	Fanuc
Working Voltage	DC24V ± 5%
Communication Method	Point to Point
Encryption Method	Not supported for the panel

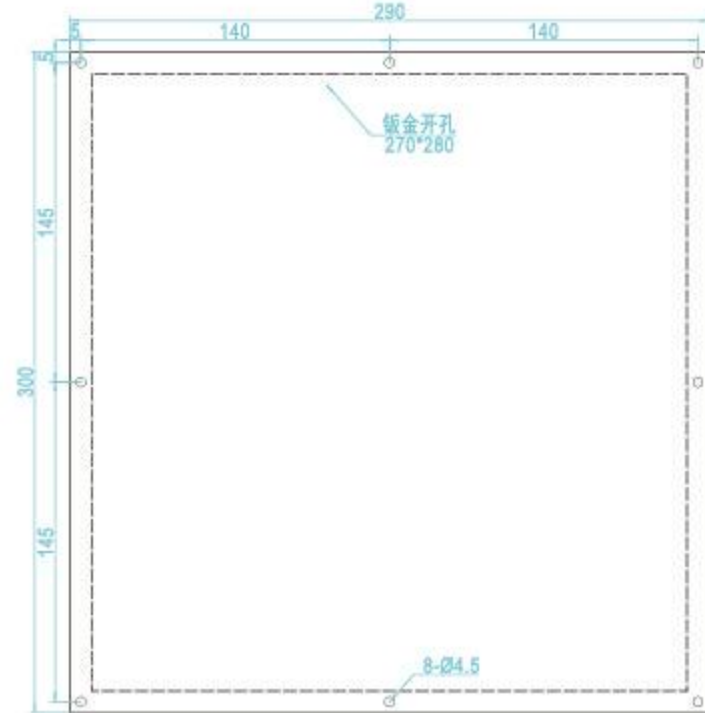
Product Information	
Product Name	Standard lathe panel
Product Model	SS-2930VT
Dimension Appearance	290×300
Applicable System	Fanuc/Mitsubishi
Working Voltage	DC24V ± 5%
Communication Method	Point to Point
Encryption Method	Not supported for the panel



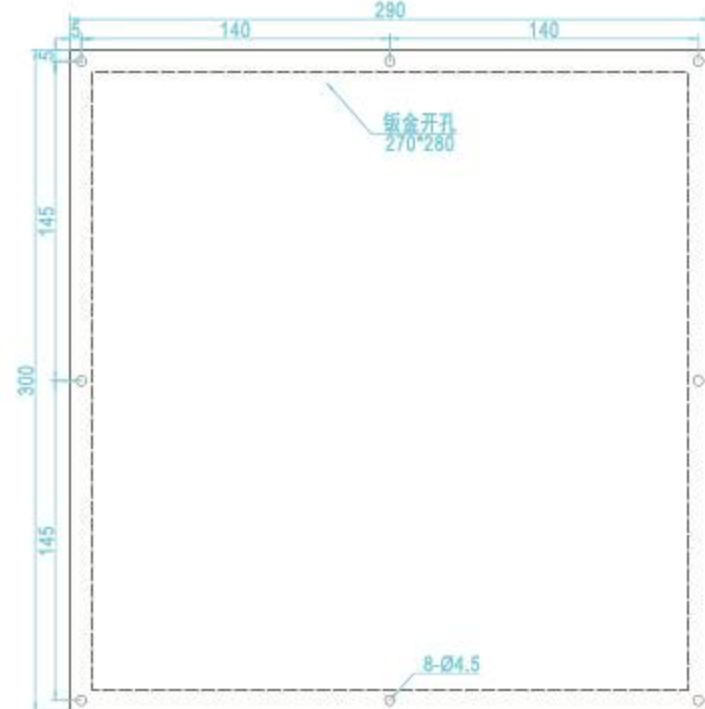
SS-4025T-JZ



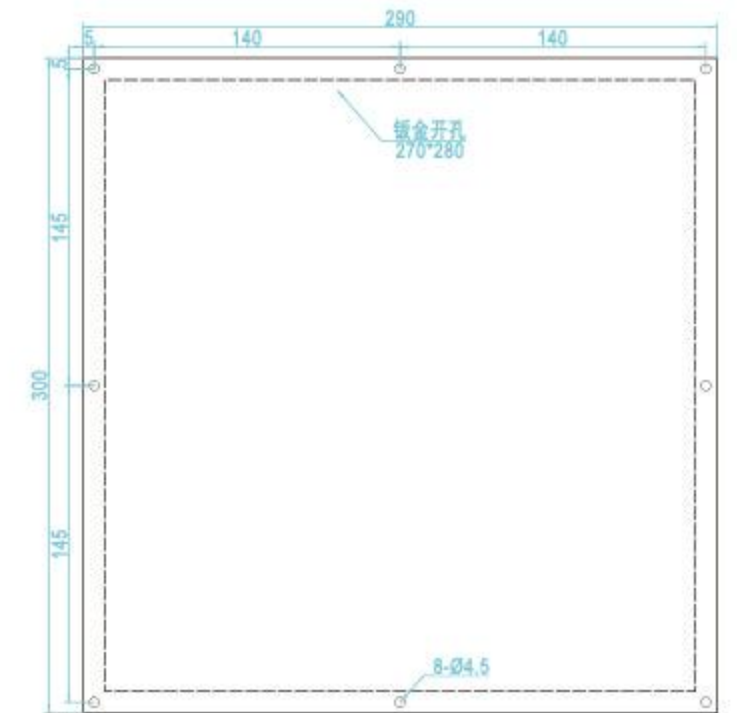
HNC-808DiT-10L



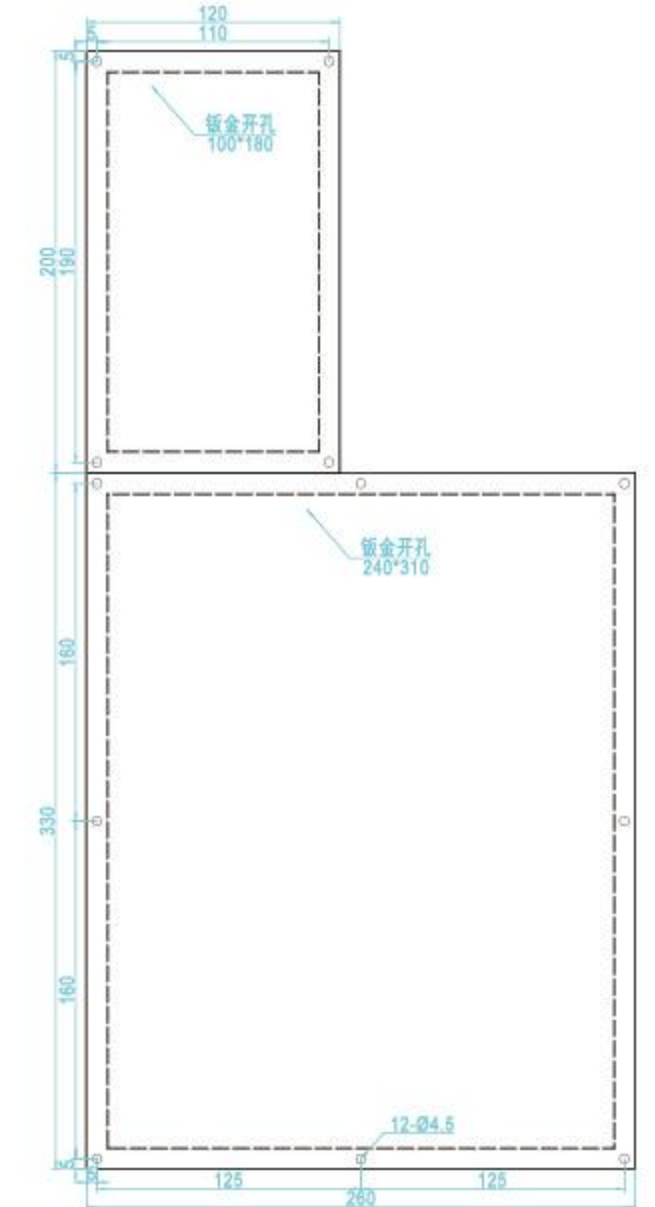
KB-FVC1



SS-2930-ZG



SS-2633-ZG-B-TY



Product Information	
Product Name	Standard lathe panel
Product Model	SS-4025T-JZ
Dimension Appearance	400x250
Applicable System	Fanuc/Mitsubishi
Working Voltage	DC24V ± 5%
Communication Method	Matrix Type
Encryption Method	Software encryption and remote-control support

Product Information	
Product Name	Standard lathe panel
Product Model	HNC-808DiT-10L
Dimension Appearance	290x300
Applicable System	Fanuc/Customized
Working Voltage	DC24V ± 5%
Communication Method	Matrix Type
Encryption Method	Not supported for the panel

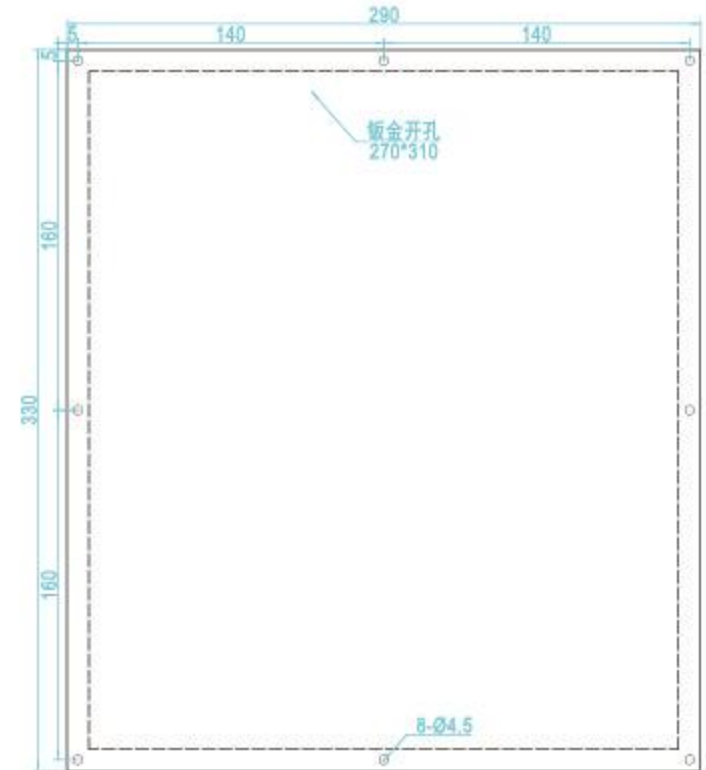
Product Information	
Product Name	Standard lathe panel
Product Model	KB-FVC1
Dimension Appearance	290x300
Applicable System	Fanuc
Working Voltage	DC24V ± 5%
Communication Method	Bus type
Encryption Method	Software encryption and remote-control support

Product Information	
Product Name	Standard Drilling and Tapping Machine Panel
Product Model	SS-2930-ZG
Dimension Appearance	290x300
Applicable System	Fanuc/Mitsubishi
Working Voltage	DC24V ± 5%
Communication Method	Matrix Type
Encryption Method	Software encryption and remote-control support

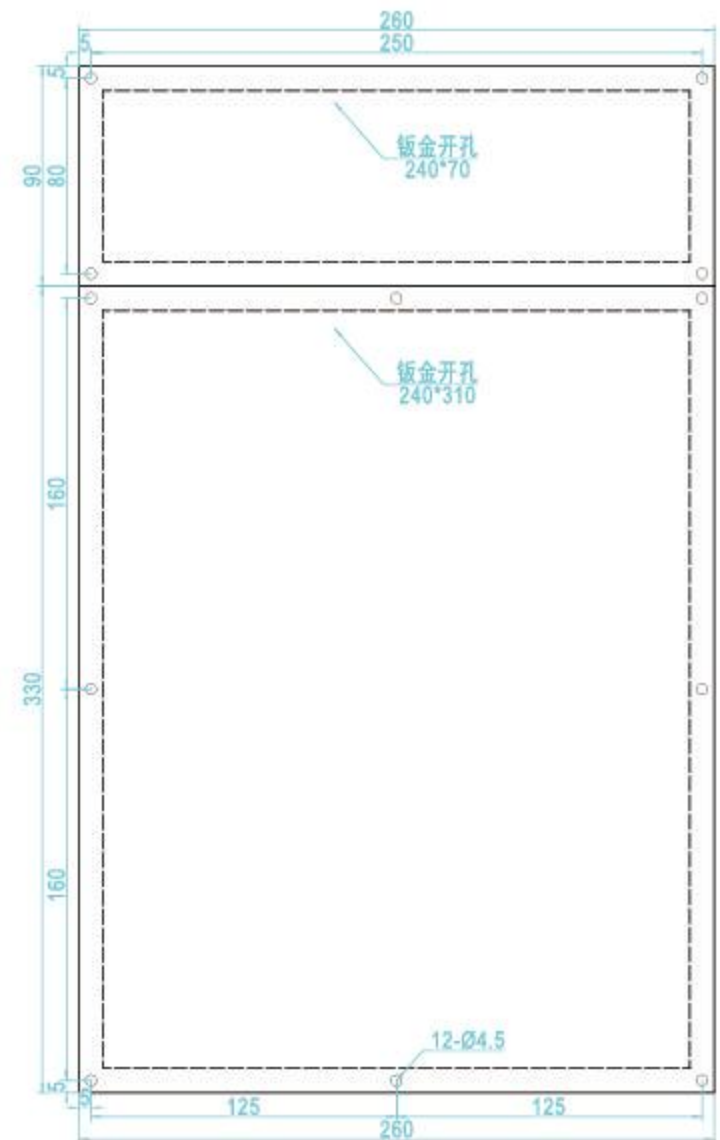
Product Information	
Product Name	Standard Drilling and Tapping Machine Panel
Product Model	SS-2633-ZG-B-TY
Dimension Appearance	260x330+120x200
Applicable System	Mitsubishi
Working Voltage	DC24V ± 5%
Communication Method	Matrix Type
Encryption Method	Software encryption and remote-control support



SS-2933-ZG-B



TD500A-JZ



Product Information	
Product Name	Standard Drilling and Tapping Machine Panel
Product Model	SS-2933-ZG-B
Dimension Appearance	290×330
Applicable System	Fanuc/Mitsubishi
Working Voltage	DC24V ± 5%
Communication Method	Matrix Type
Encryption Method	Software encryption, and remote-control support

Product Information	
Product Name	Standard Drilling and Tapping Machine Panel
Product Model	TD500A-JZ
Dimension Appearance	260×330+260×90
Applicable System	Fanuc
Working Voltage	DC24V ± 5%
Communication Method	Matrix Type
Encryption Method	Software encryption, and remote-control support